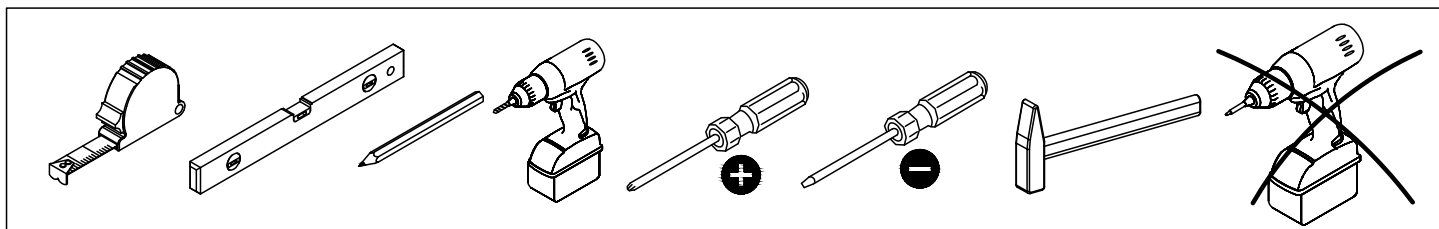
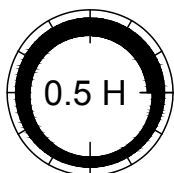
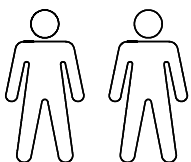
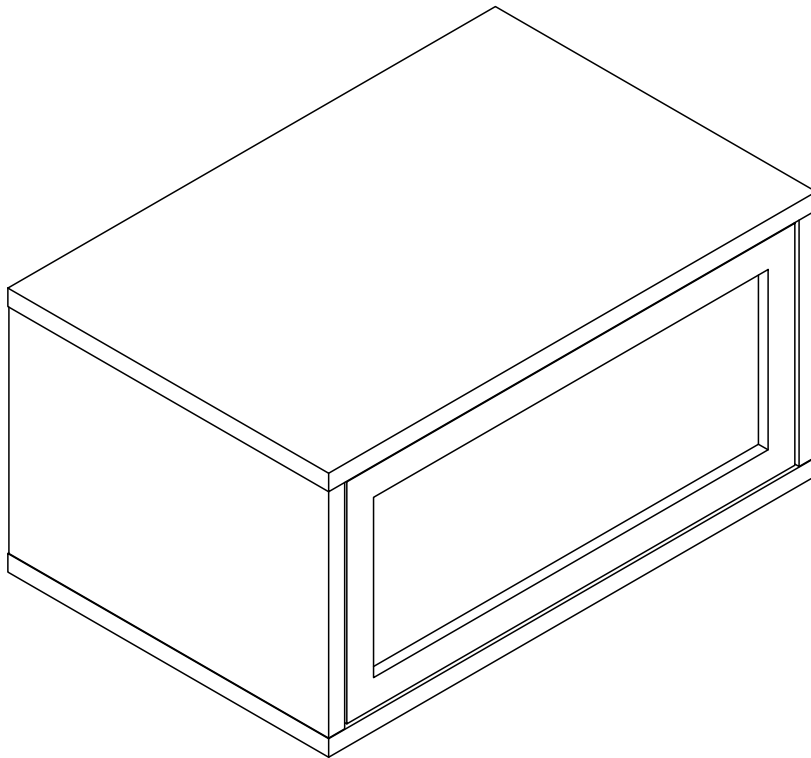
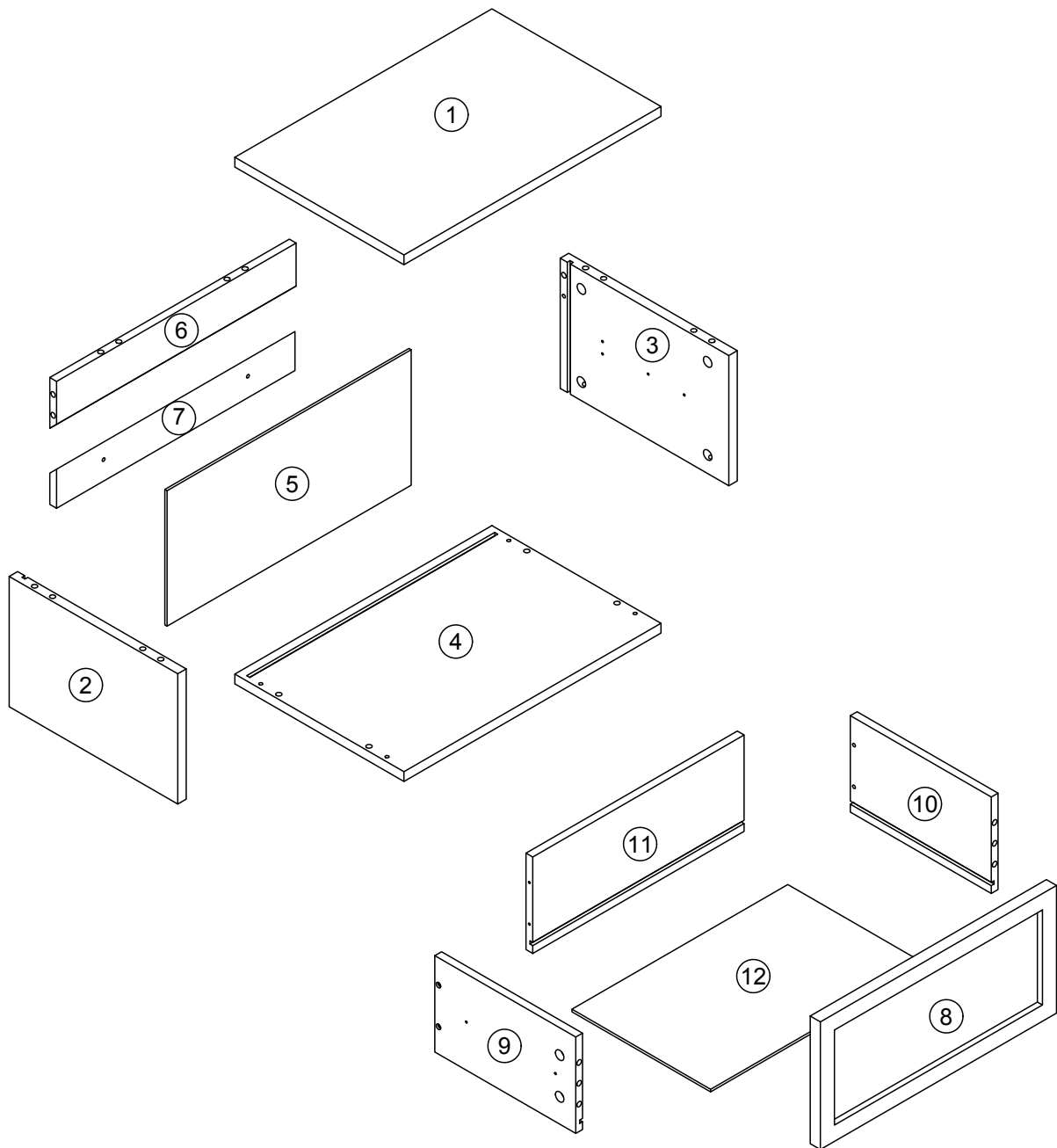


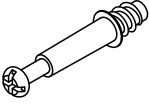
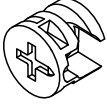
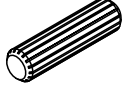


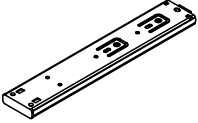

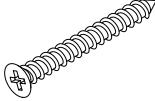
# PALMDALE



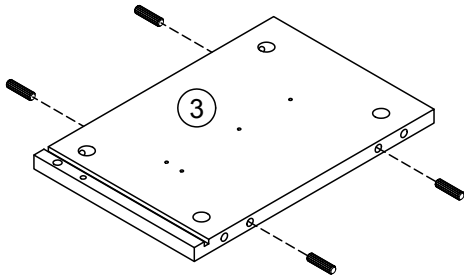
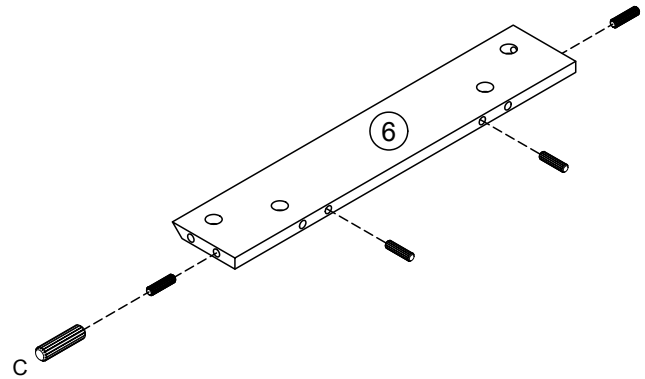
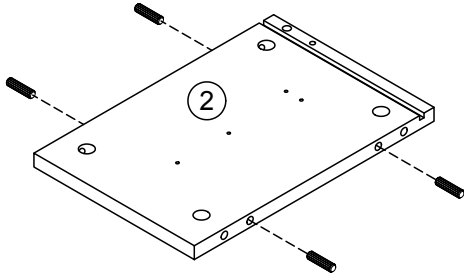
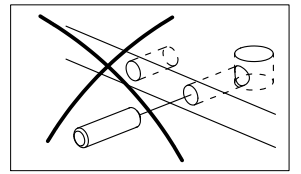
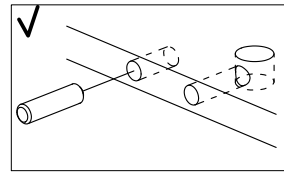
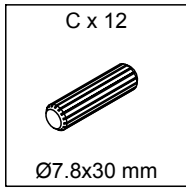
			✓
①	1	456x300x15	
②	1	299x200x15	
③	1	299x200x15	
④	1	456x300x15	
⑤	1	433x208x4	
⑥	1	425x78x12	

			✓
⑦	1	424x60x12	
⑧	1	419x196x18	
⑨	1	250x148x12	
⑩	1	250x148x12	
⑪	1	375x148x12	
⑫	1	383x248x4	

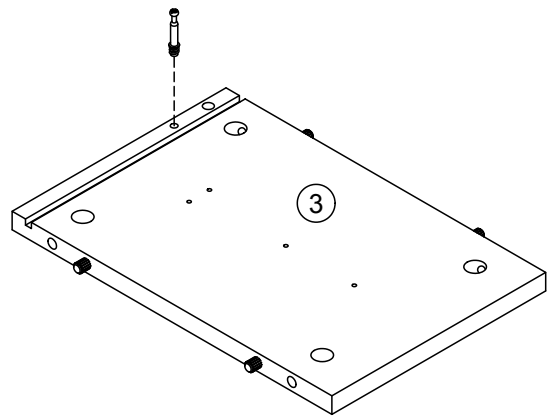
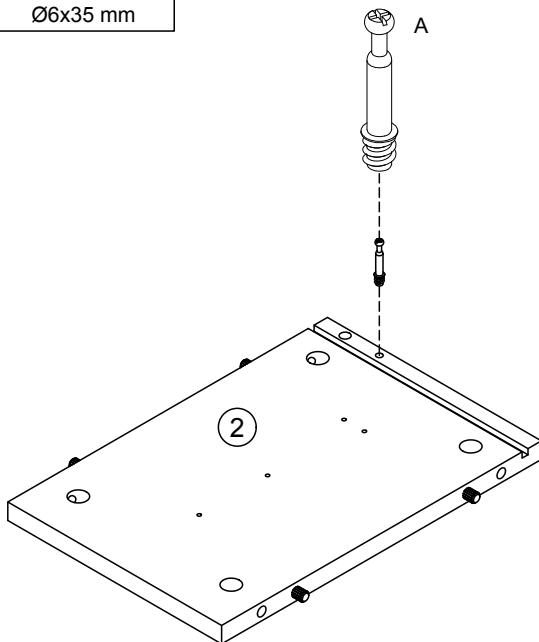
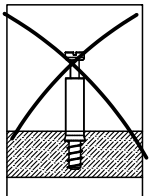
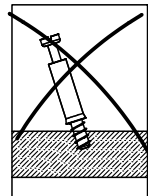
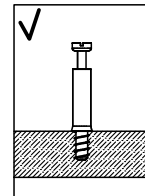
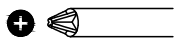
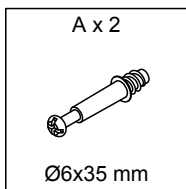


<p>A x 16</p>  <p>Ø6x35 mm</p>	<p>B x 12</p>  <p>Ø15x12 mm</p>	<p>C x 14</p>  <p>Ø7.8x30 mm</p>	<p>D x 4</p>  <p>Ø15x9 mm</p>	<p>E x 12</p>  <p>Ø3.5x12 mm</p>
<p>F x 2</p>  <p>250 mm</p>	<p>G x 4</p>  <p>Ø20 mm</p>	<p>H x 4</p>  <p>Ø3.5x35 mm</p>		

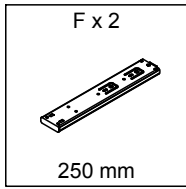
# 1



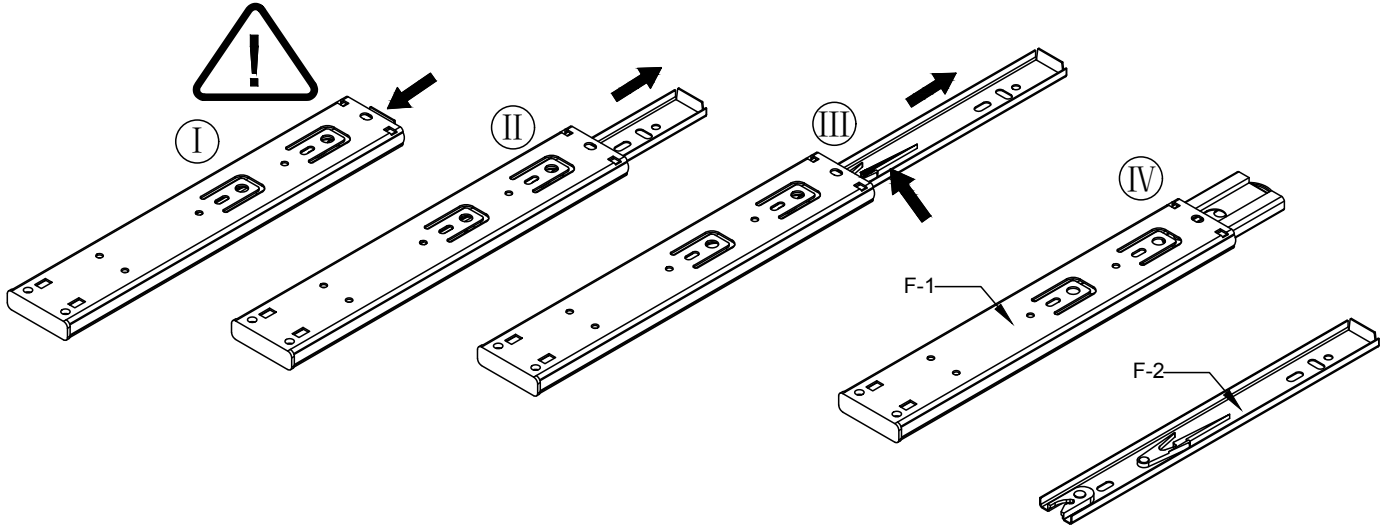
# 2



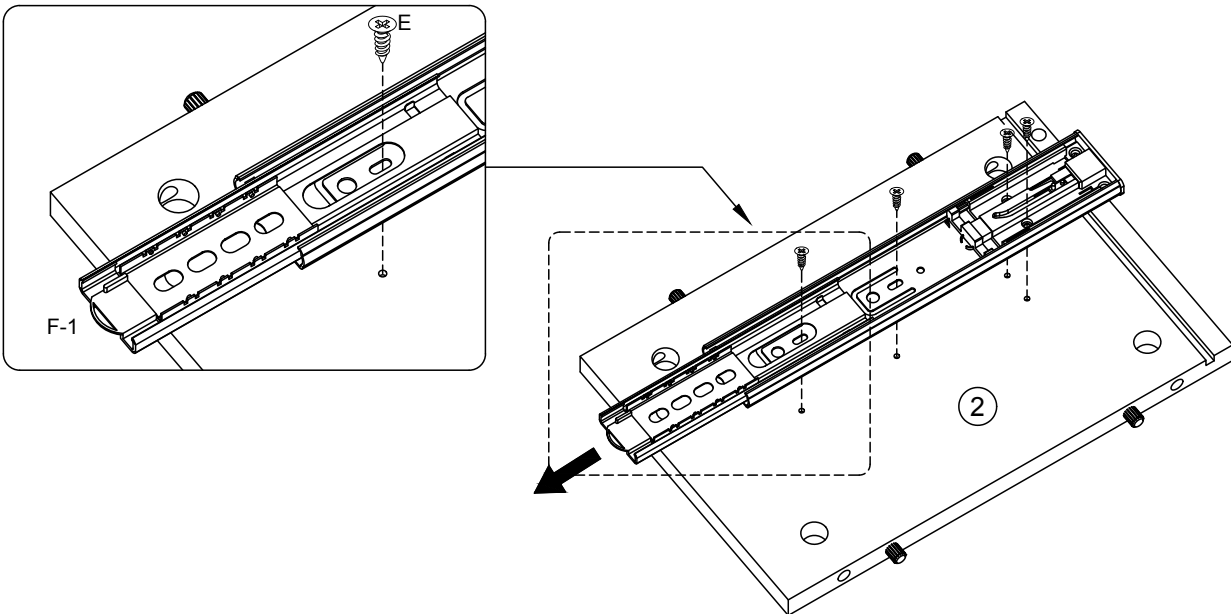
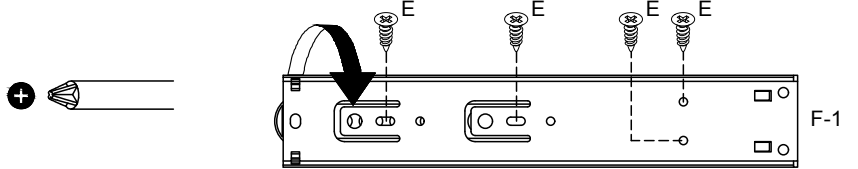
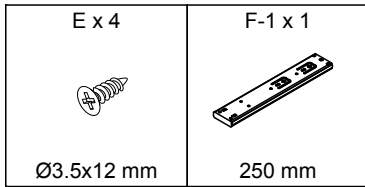
# 3





F=F1+F2

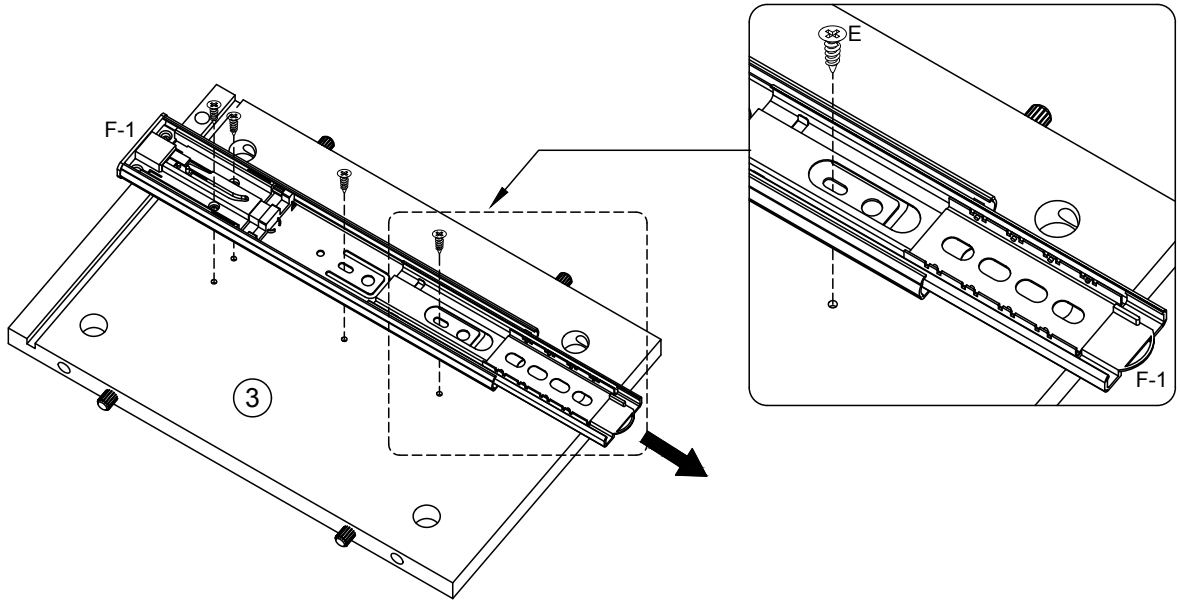
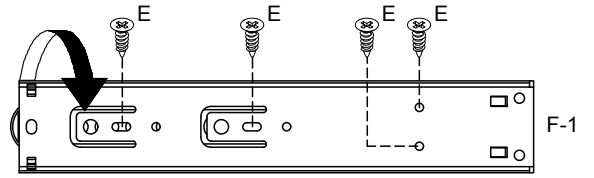
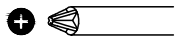


# 4




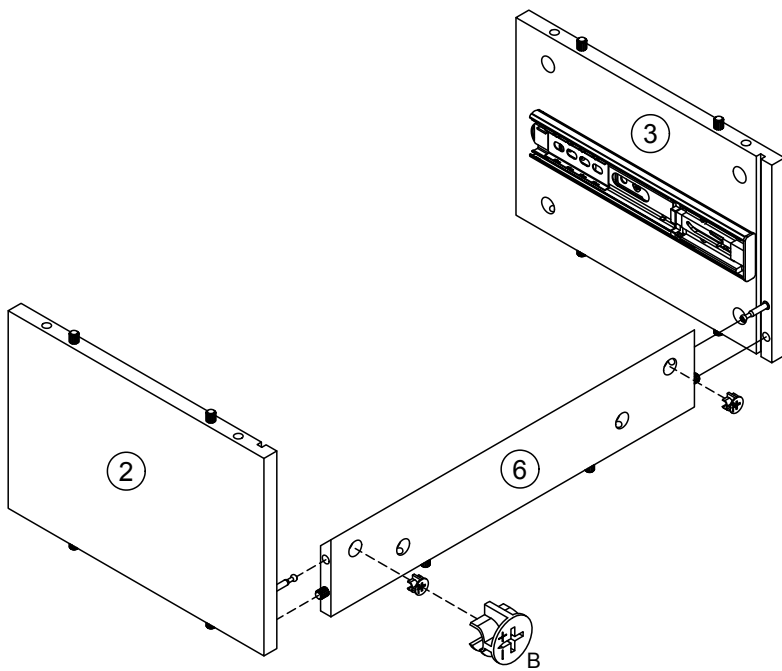
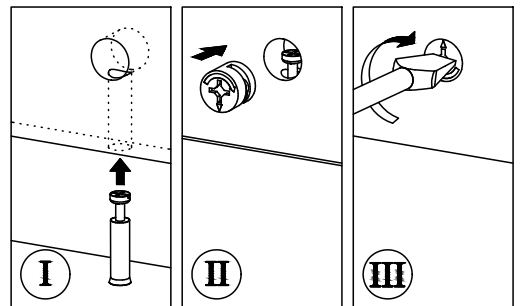
# 5

E x 4  Ø3.5x12 mm	F-1 x 1  250 mm
--	--

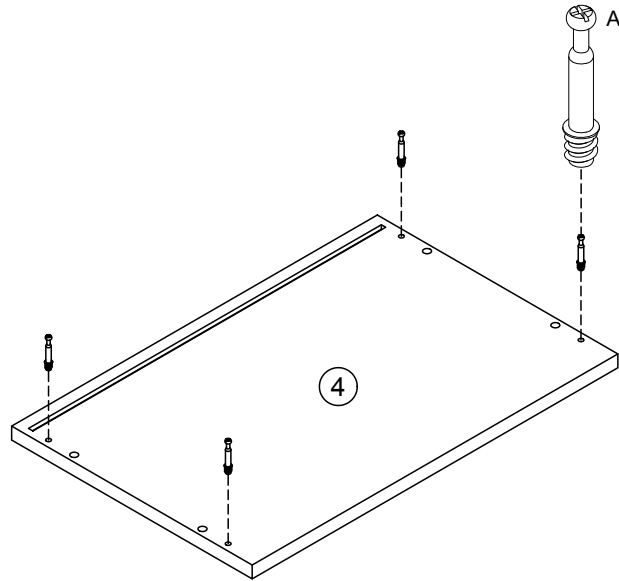
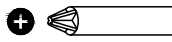
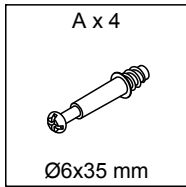


# 6

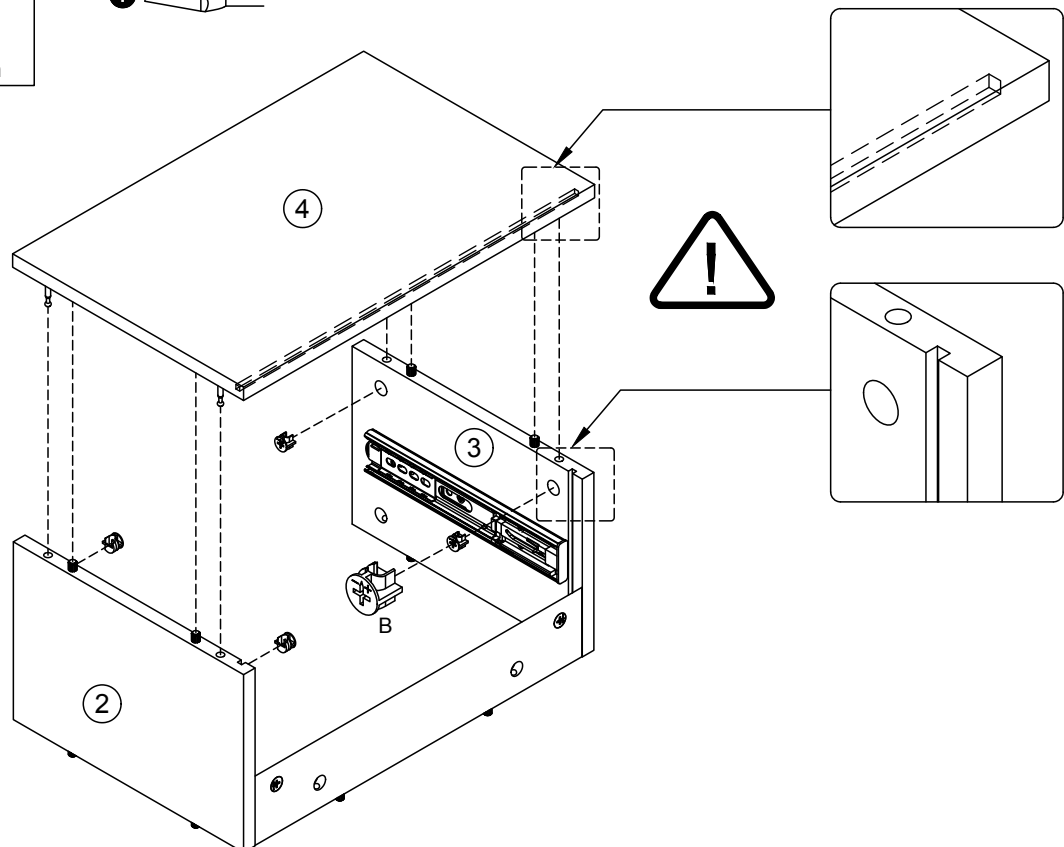
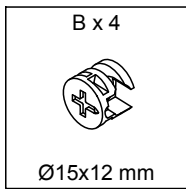
B x 2  Ø15x12 mm
---



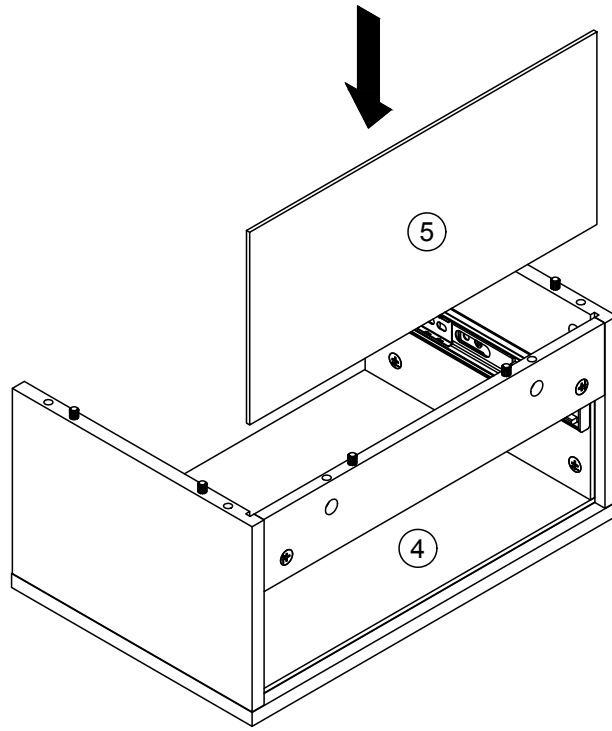
7



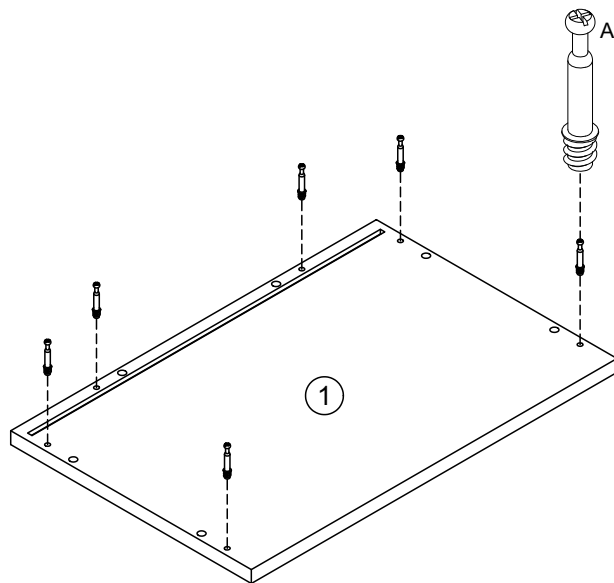
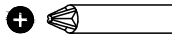
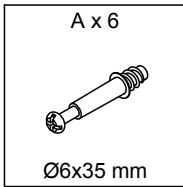
8



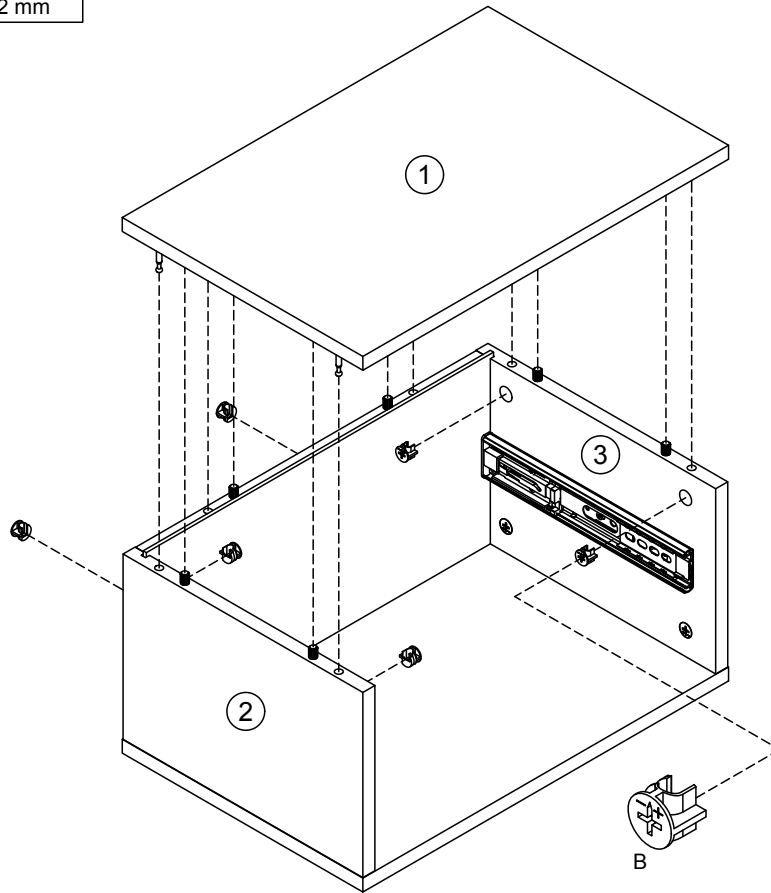
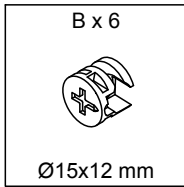
9



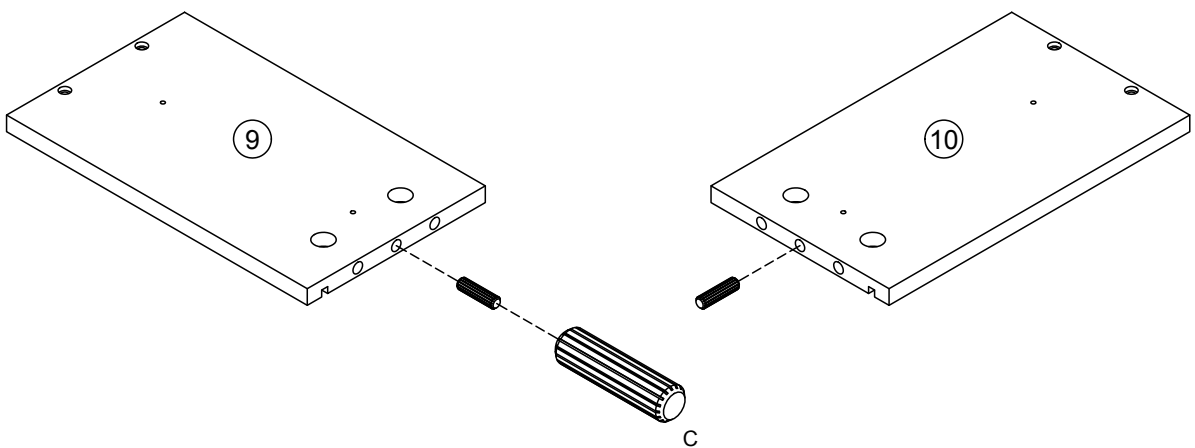
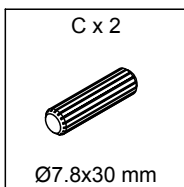
10



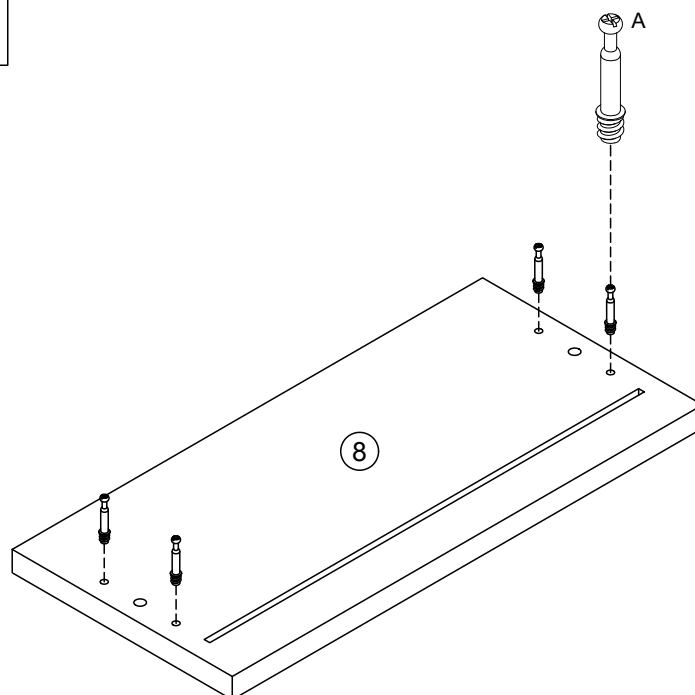
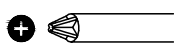
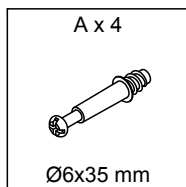
# 11



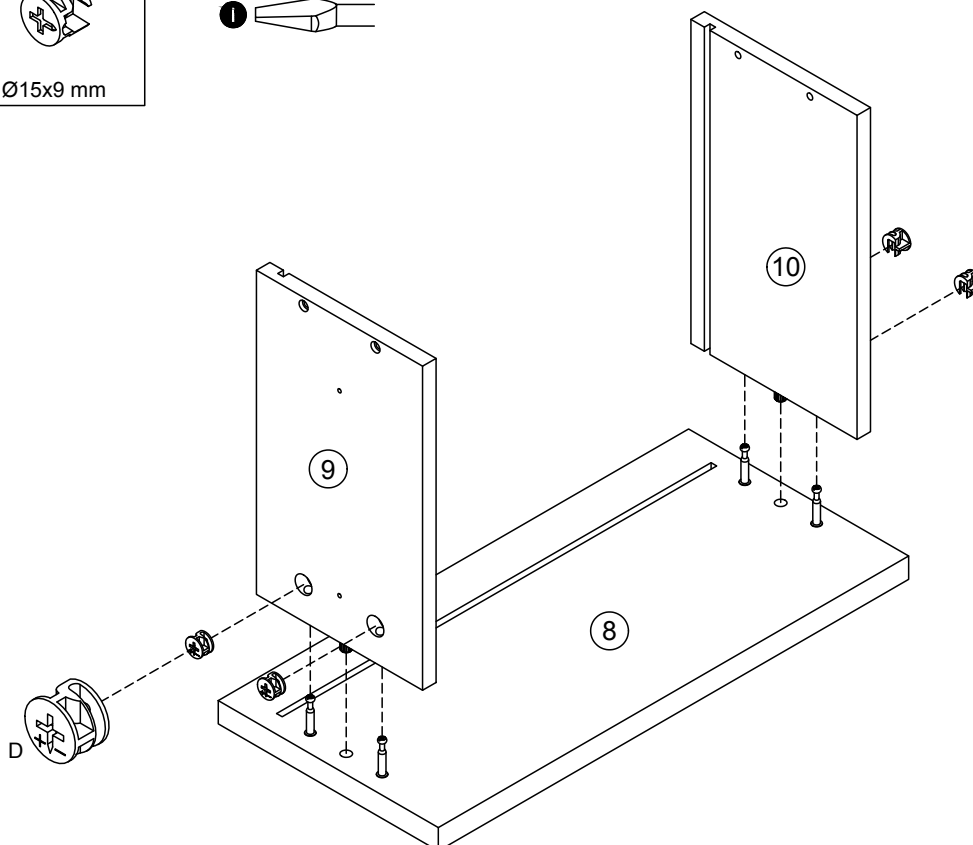
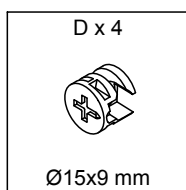
# 12



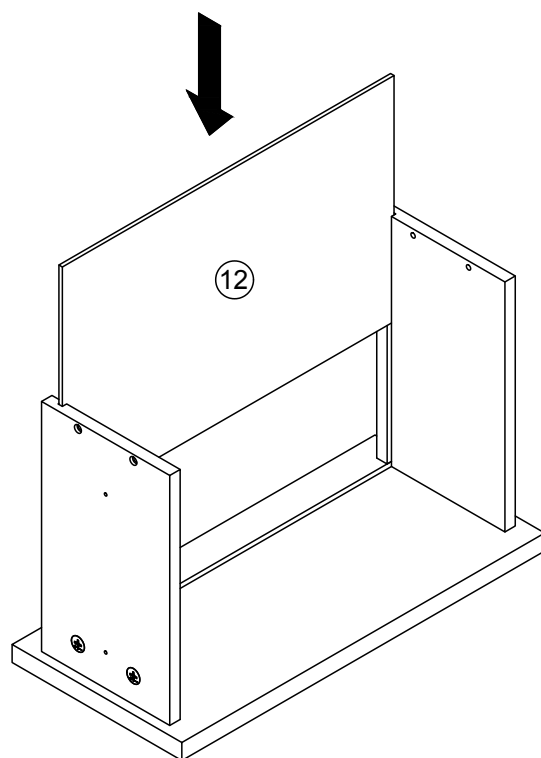
# 13



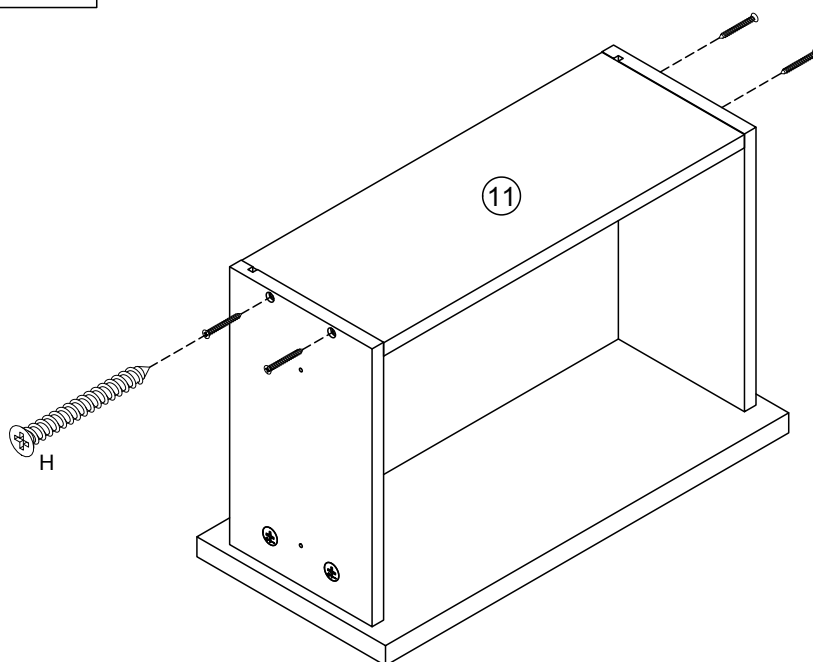
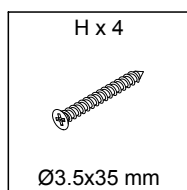
# 14



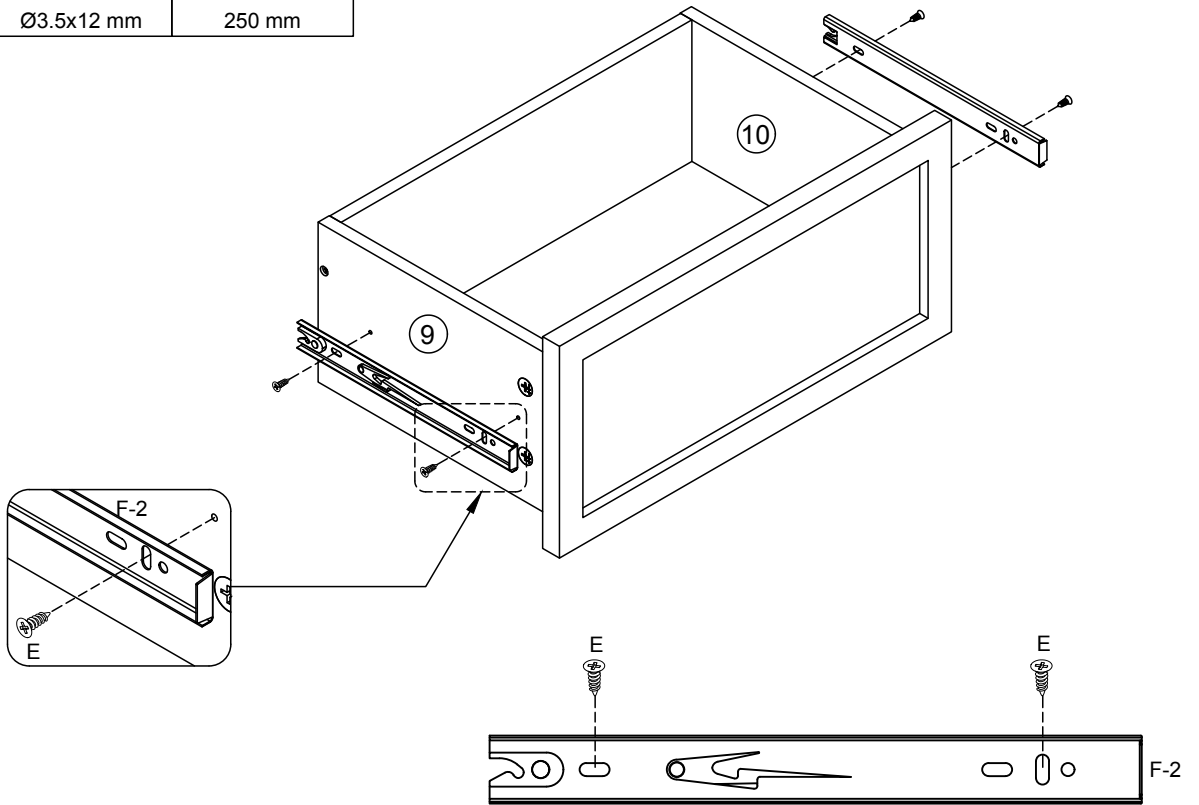
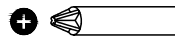
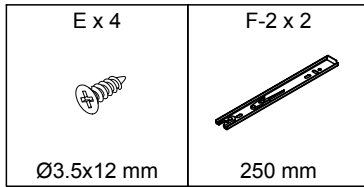
# 15



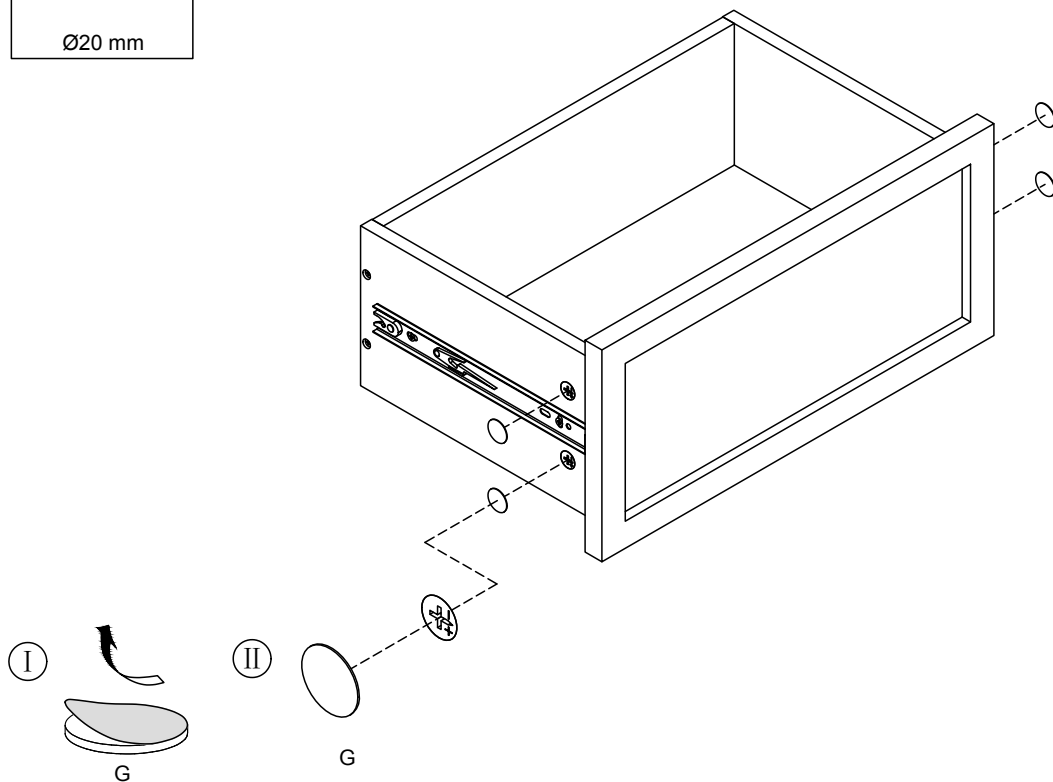
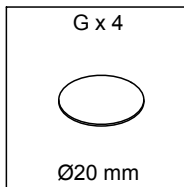
# 16



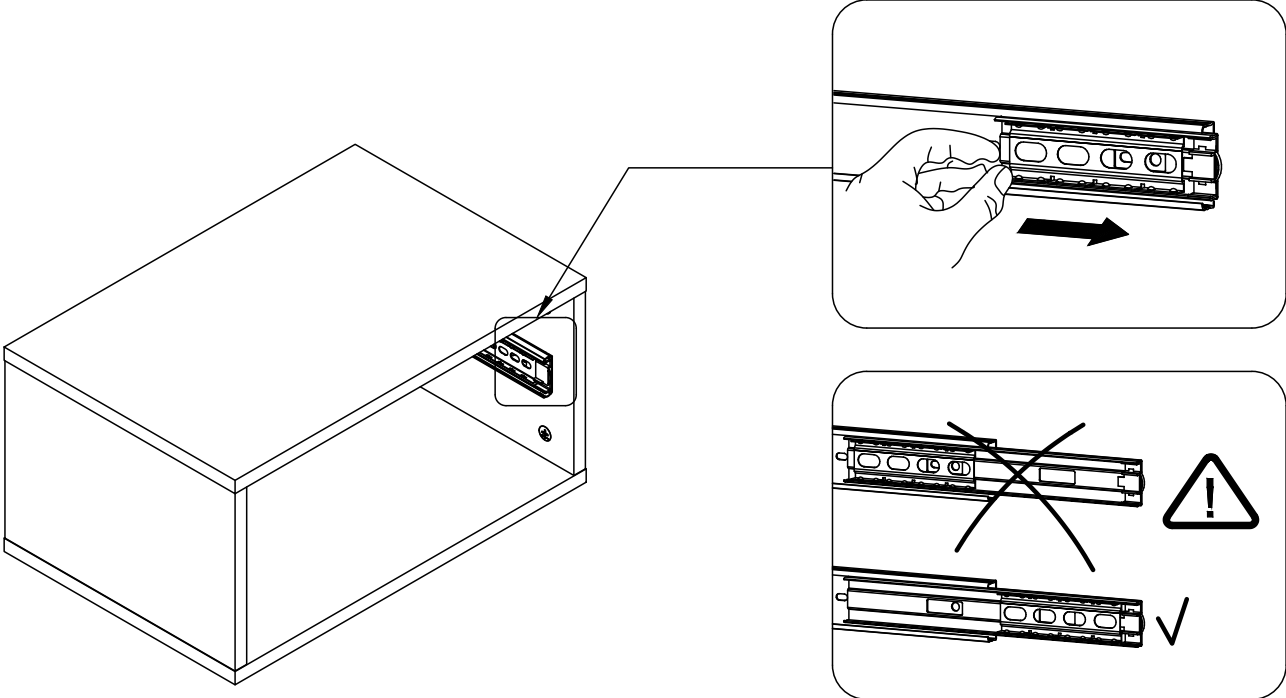
# 17



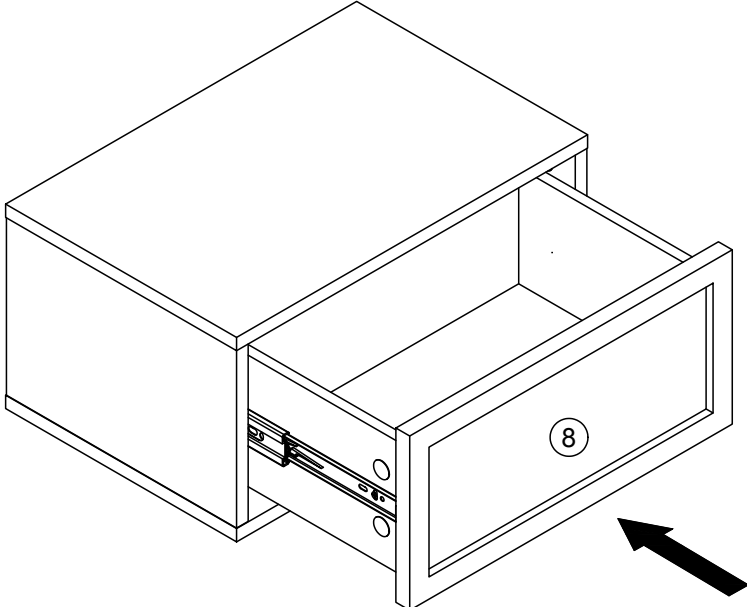
# 18



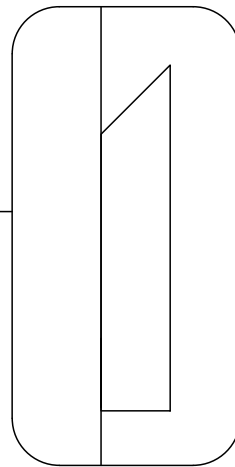
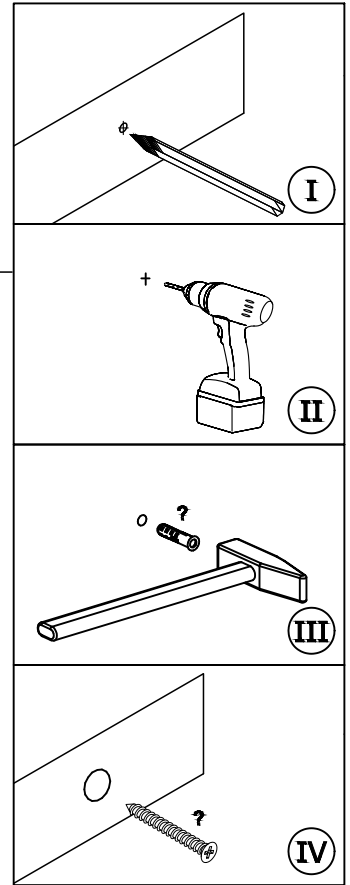
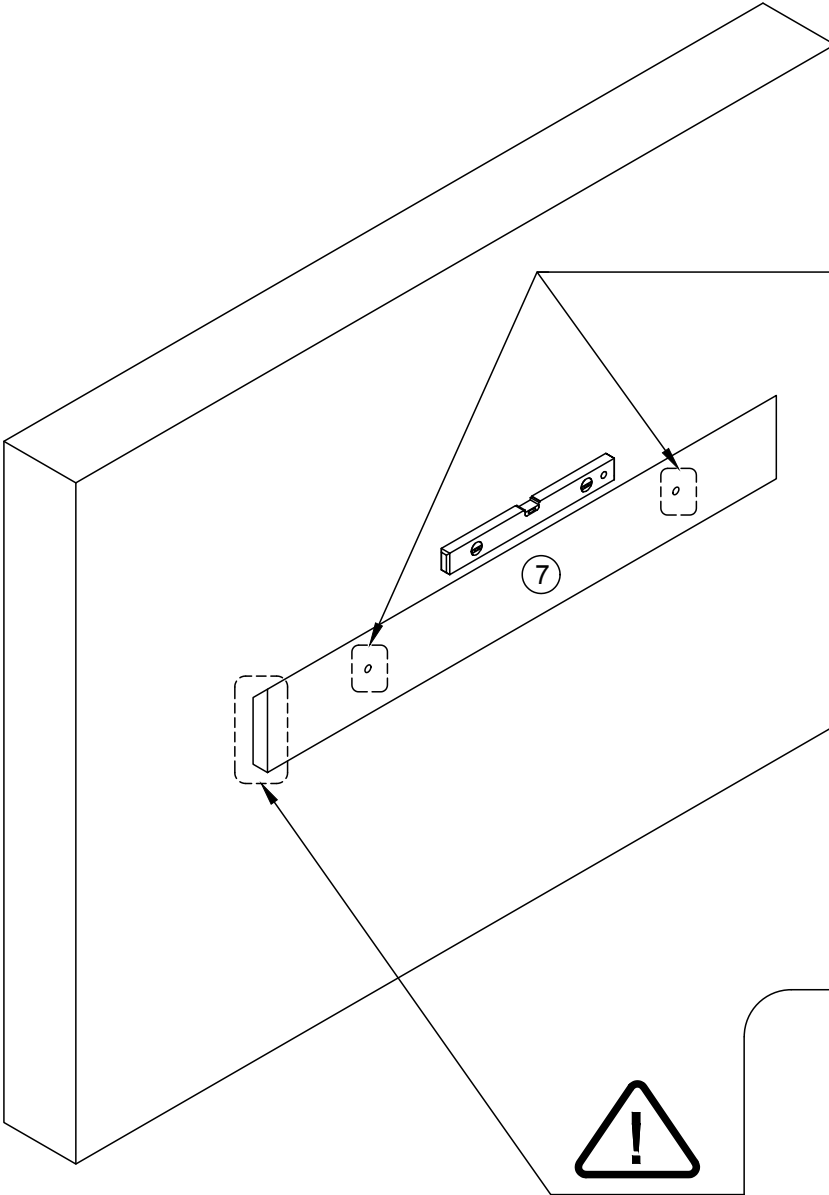
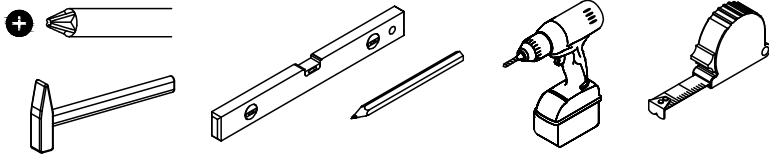
# 19



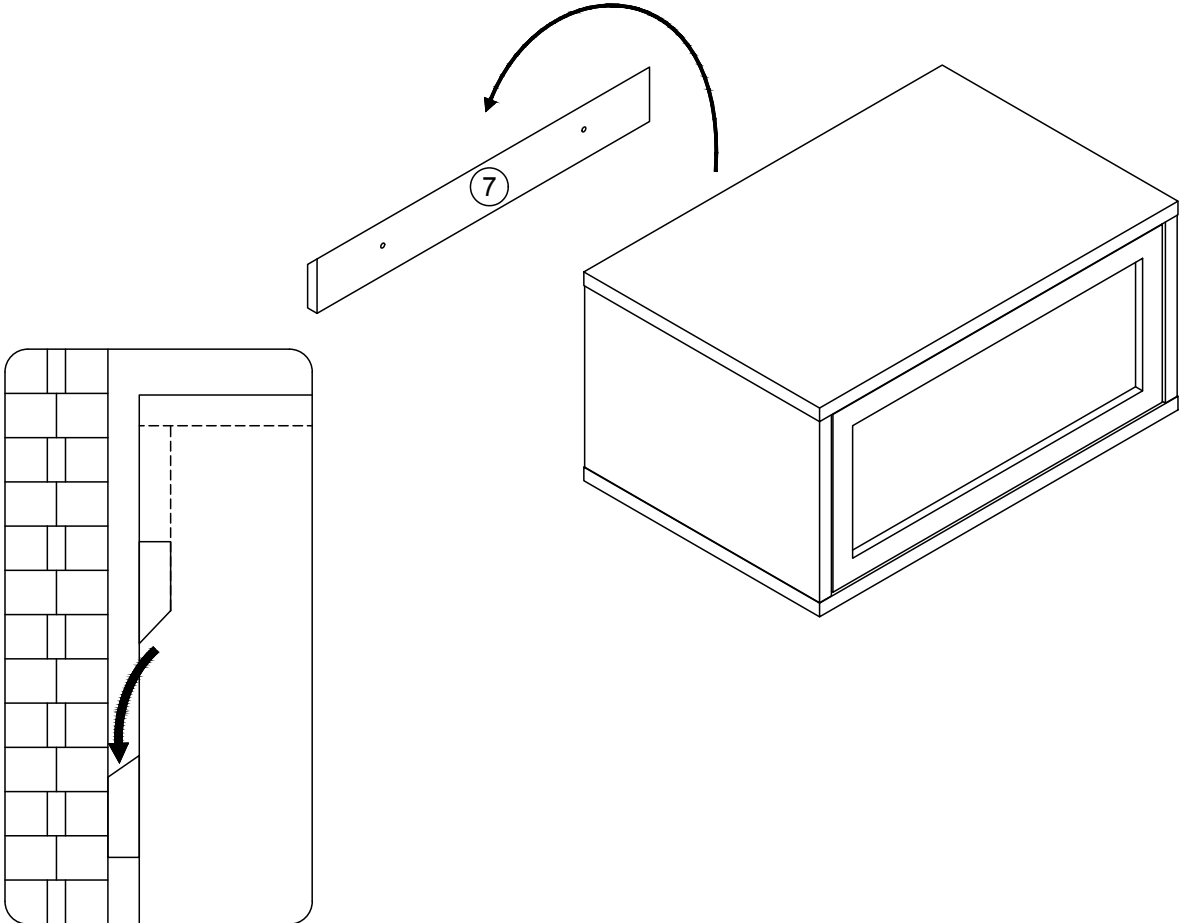
# 20



# 21



22



23

